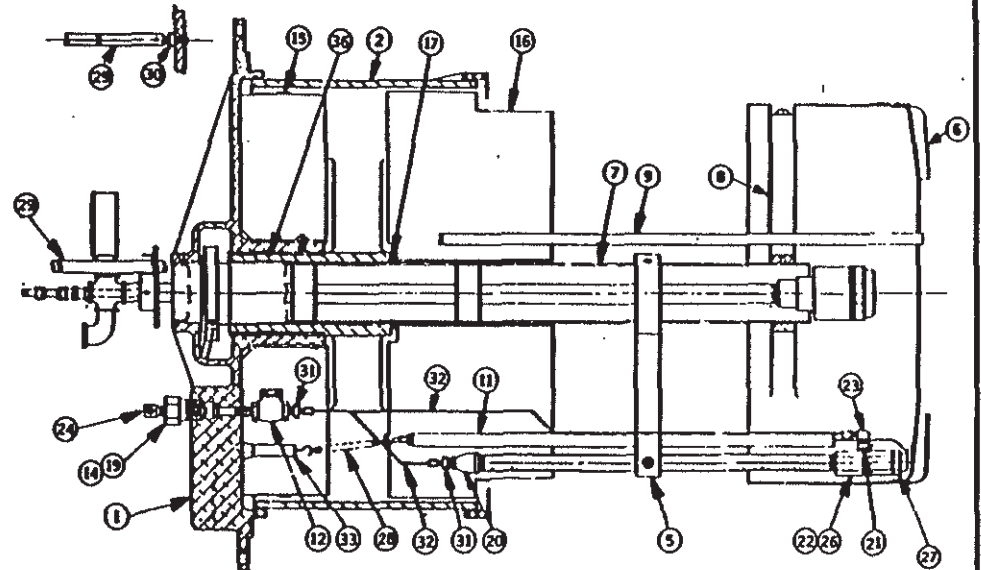
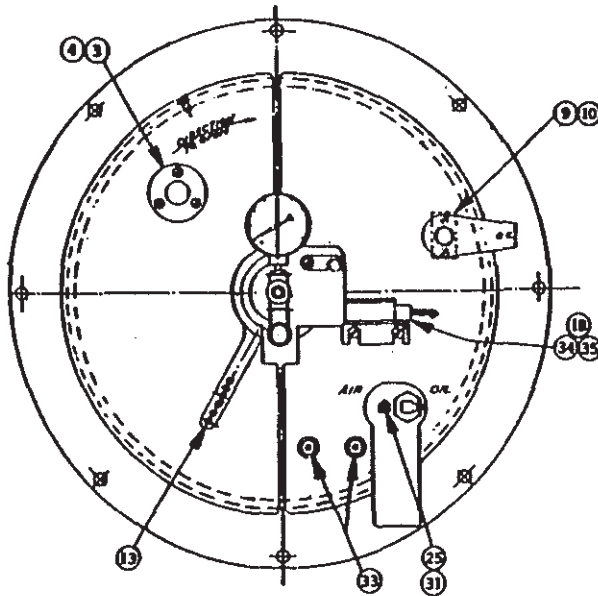


Courtesy of: C3 Surplus LLC
 Surplus Industrial Superstore
 305-428-2777
<https://www.c3surplus.com>

ITEM	REQ	PART NO.	DESCRIPTION	ITEM	REQ	PART NO.	DESCRIPTION
1	1	58-1057	BURNER BACKPLATE WITH BEARING	20	1	847-718	REDUCER COUPLING
2	1	108-50	ROTARY DAMPER	21	1	847-415	REDUCER BUSHING
3	1	851-77	MICA SIGHT HOLE - 1-1/2"	22	1	277-23	NOZZLE BODY - PILOT
4	1	65-11	SIGHT HOLE RETAINER	23	1	845-780	ELBOW - COMPRESSION
5	1	8-902	ELECTRODE AND PILOT BRACKET	24	1	845-42	ELBOW - FLARED
6	1	275-143	DIFFUSER	26	1	845-428	ADAPTER FITTING
7	1	90-214	BURNER DRAWER TUBE	26	1	82-34	SWIRLER SPRING - PILOT
8	1	134-50	SPIDER	27	1	251-7	NOZZLE TIP & SWIRLER - PILOT
9	1	90-571	SCANNER TUBE ASSEMBLY	28	2	924-49	EXTENSION SPRING (SPECIFY LENGTH)
10	1	32-497	SCANNER TUBE GASKET	29	1	58-21	LOCKING PIN
11	2	435-50	IGNITION ELECTRODE	30	1	889-38	NUT
12	1	940-528	BALL CHECK VALVE	31	1	845-781	ADAPTER FITTING
13	1	2-43	DAMPER ARM	32	2	939-60	TUBING - 12" LG. (SPECIFY LENGTH)
14	1	108-10	OIL ORIFICE BLOCK	33	2	94-179	FEED THRU INSULATOR
15	1	22-133	FRONT STABILIZER	34	1	838-89	LIMIT SWITCH
16	1	22-132	STABILIZER	35	1	8-710	LIMIT SWITCH BRACKET
17	1	73-41	SEAL RING	36	1	807-329	BEARING
18	1	848-2	CONNECTOR	*	1	SEE TABLE	BURNER DRAWER ASSEMBLY
19	1	899-59	NOZZLE WITH STRAINER				

NOTES: 1.) FOR BURNER GUN AND PARTS SEE SECTION FT5.2.1
 2.) BURNER DRAWER 429-329 IS OBSOLETE, SEE TABLE FOR REPLACEMENT.

ITEM	TABLE		
	CB400	CB500	CB600-800
*	429-996	429-509	429-916



Cleaver-Brooks
 DIVISION OF AQUA-CHEM, INC.
 MILWAUKEE, WISCONSIN 53201
PARTS REFERENCE

DATE
4/1/86

**BURNER DRAWER WITH
 LIGHT OIL PILOT
 CB400-800 HORSEPOWER**

REVISION NO. 0 SHEET 1 OF 4 REFERENCE NO. FT5.1.7

THIS INFORMATION IS CONFIDENTIAL AND IS NOT TO BE USED IN ANY WAY DETRIMENTAL TO THE COMPANY'S INTERESTS.



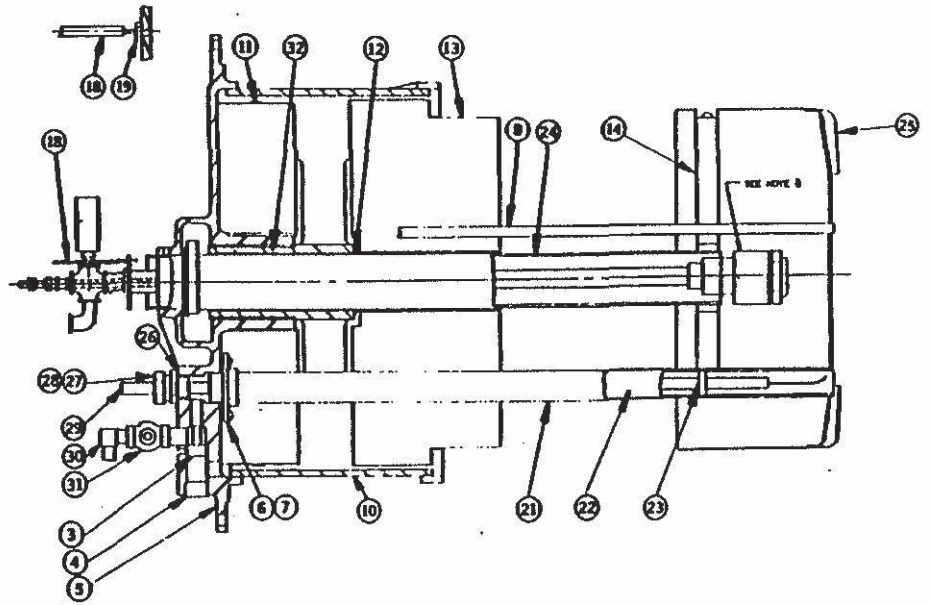
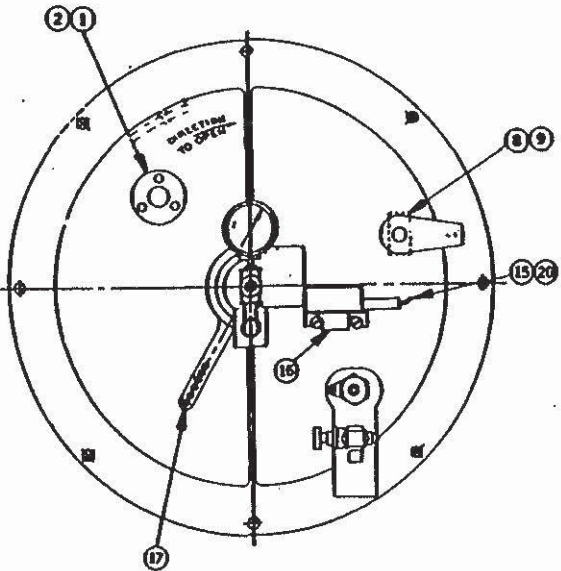
Courtesy of: C3 Surplus LLC
 Surplus Industrial Superstore
 305-428-2777
<https://www.c3surplus.com>

Cleaver-Brooks
 DIVISION OF AQUA-CHEM, INC.
 MILWAUKEE, WISCONSIN 53201
PARTS REFERENCE

ITEM	REQ	PART NO.	DESCRIPTION	ITEM	REQ	PART NO.	DESCRIPTION
1	1	851-77	MICA SIGHT HOLE - 1-1/2"	18	1	58-21	LOCKING PIN
2	1	85-11	SIGHT HOLE RETAINER	19	1	869-36	NUT
3	1	48-98	VENTURI - ASPIRATOR	20	1	848-2	CONNECTOR
4	1	858-310	ACCESS PLUG	21	1	90-572	GAS PILOT PIPE
5	1	59-1043	BURNER BACKPLATE WITH BEARING	22	1	90-186	GAS PILOT ADAPTER SLEEVE
6	1	1-197	GAS PILOT ADAPTER FLANGE	23	1	134-53	ELECTRODE HOLDER
7	1	73-32	ADAPTER SEAL RING	24	1	90-214	BURNER DRAWER TUBE
8	1	90-671	SCANNER TUBE ASSEMBLY	25	1	275-143	DIFFUSER
9	1	32-497	SCANNER TUBE GASKET	26	1	853-1	O-RING (ELECTRODE GLAND SEAL)
10	1	108-50	ROTARY DAMPER	27	1	34-7	IGNITION ELECTRODE GLAND
11	1	22-133	FRONT STABILIZER	28	1	904-36	RUBBER GROMMET
12	1	73-41	SEAL RING	29	1	435-71	IGNITION ELECTRODE
13	1	22-132	STABILIZER	30	1	846-194	ELBOW - FLARED
14	1	134-50	SPIDER	31	1	825-30	GAS COCK
15	1	836-89	LIMIT SWITCH	32	1	807-329	BEARING
16	1	8-710	LIMIT SWITCH BRACKET	*	1	SEE TABLE	BURNER DRAWER ASSEMBLY
17	1	2-43	DAMPER ARM				

NOTES: 1.) FOR BURNER GUN AND PARTS SEE SECTION FT5.2.1
 2.) BURNER DRAWER 429-330 IS OBSOLETE, SEE TABLE FOR REPLACEMENT.

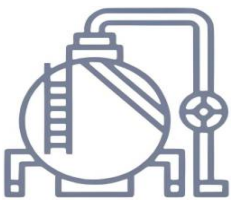
TABLE			
ITEM	CB400	CB500	CB600-800
*	429-995	428-510	429-917



THIS INFORMATION IS CONFIDENTIAL AND IS NOT TO BE USED IN ANY WAY DETRIMENTAL TO THE COMPANY'S INTERESTS.

DATE
4/1/86

BURNER DRAWER WITH GAS PILOT
CB400-800 HORSEPOWER
 REVISION NO. 0
 SHEET NO. 2 OF 4
 REFERENCE NO. FT5.1.7



Courtesy of: C3 Surplus LLC
 Surplus Industrial Superstore
 305-428-2777
<https://www.c3surplus.com>

Cleaver-Brooks
 DIVISION OF AQUA-CHEM, INC.
 MILWAUKEE, WISCONSIN 53201
PARTS REFERENCE

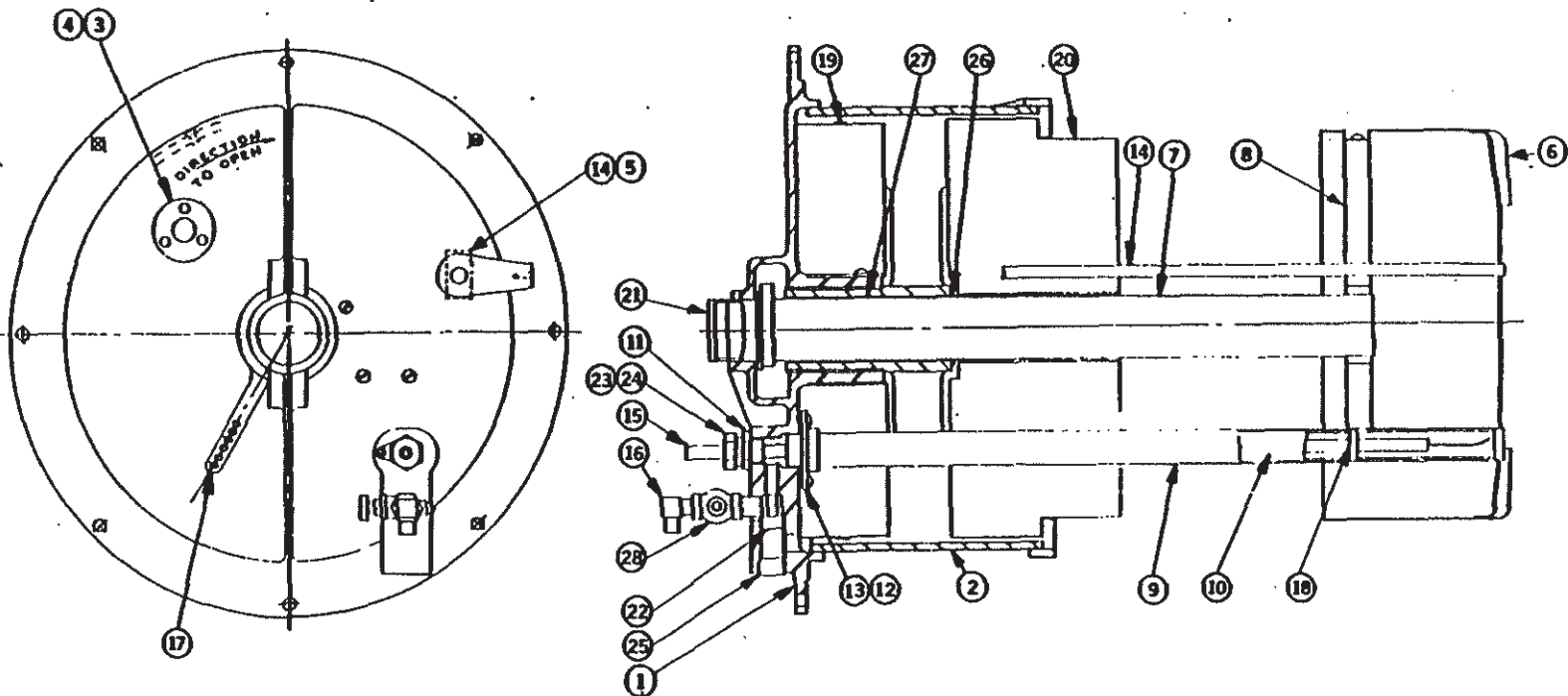
DATE
 4/1/86

GAS BURNER DRAWER
CB400-800 HORSEPOWER

REVISION NO. 0
 SHEET NO. 3 OF 4
 REFERENCE NO. FT5.1.7

ITEM	REQ	PART NO.	DESCRIPTION	ITEM	REQ	PART NO.	DESCRIPTION
1	1	59-1043	BURNER BACKPLATE WITH BEARING	15	1	435-71	IGNITION ELECTRODE
2	1	108-60	ROTARY DAMPER	16	1	845-194	ELBOW - FLARED
3	1	851-77	MICA SIGHT HOLE - 1-1/2"	17	1	2-43	DAMPER ARM
4	1	65-11	SIGHT HOLE RETAINER	18	1	134-63	ELECTRODE HOLDER
5	1	32-497	SCANNER TUBE GASKET	19	1	22-133	FRONT STABILIZER
6	1	275-143	DIFFUSER	20	1	22-132	STABILIZER
7	1	90-214	BURNER DRAWER TUBE	21	1	158-48	GUN PLUG
8	1	134-60	SPIDER	22	1	48-98	VENTURI - ASPIRATOR
9	1	90-672	GAS PILOT PIPE	23	1	34-7	IGNITION ELECTRODE GLAND
10	1	90-188	GAS PILOT ADAPTER SLEEVE	24	1	904-36	RUBBER GROMMET
11	1	853-1	O-RING (ELECTRODE GLAND SEAL)	25	1	858-310	ACCESS PLUG
12	1	1-197	GAS PILOT ADAPTER FLANGE	26	1	73-41	SEAL RING
13	1	73-32	ADAPTER SEAL RING	27	1	807-329	BEARING
14	1	90-571	SCANNER TUBE ASSEMBLY			429-508	GAS BURNER DRAWER ASSEMBLY

NOTES: 1.) BURNER DRAWER 429-328 IS OBSOLETE AND REPLACED WITH BURNER DRAWER 429-508.



THIS INFORMATION IS CONFIDENTIAL AND IS NOT TO BE USED IN ANY WAY DETRIMENTAL TO THE COMPANY'S INTERESTS.



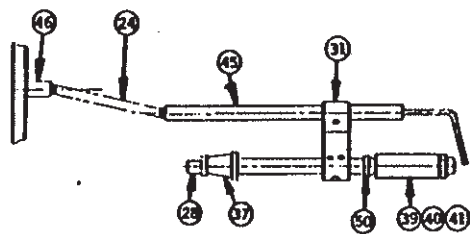
Courtesy of: C3 Surplus LLC
 Surplus Industrial Superstore
 305-428-2777
<https://www.c3surplus.com>

Cleaver-Brooks
 DIVISION OF AQUA-CHEM, INC.
 MILWAUKEE, WISCONSIN 53201
PARTS REFERENCE

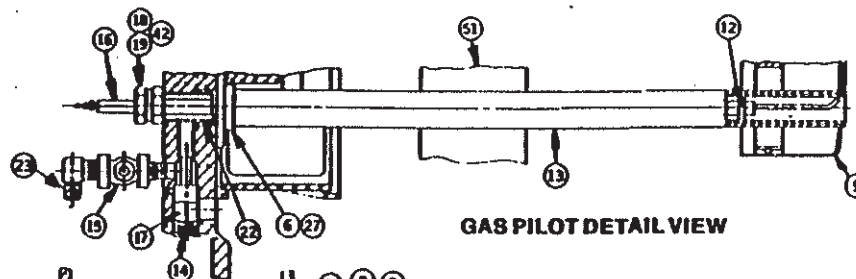
ITEM	REQ	PART NO.	DESCRIPTION	ITEM	REQ	PART NO.	DESCRIPTION	ITEM	REQ	PART NO.	DESCRIPTION
1	1	826-2926	BURNER BACKPLATE WITH BEARINGS	20	1	66-21	LOCKING PIN	39	1	277-23	NOZZLE BODY - PILOT
2	1	108-60	ROTARY DAMPER	21	1	869-36	NUT	40	1	82-34	SWIRLER SPRING - PILOT
3	1	851-77	MICA SIGHT HOLE - 1-1/2"	22	1	90-186	ADAPTER TUBE	41	1	251-12	NOZZLE TIP & SWIRLER - PILOT
4	1	65-11	SIGHT HOLE RETAINER	23	1	845-313	ELBOW - FLARED	42	1	904-36	RUBBER GROMMET
5	1	807-329	BEARING	24	2	924-49	EXTENSION SPRING (SPECIFY LG.)	43	1	847-416	REDUCER BUSHING
6	1	1-197	GAS PILOT ADAPTER FLANGE	25	1	836-89	LIMIT SWITCH	44	1	845-329	CONNECTOR - 1/8"
7	1	80-671	SCANNER TUBE ASSEMBLY	26	1	8-710	LIMIT SWITCH BRACKET	45	1	435-50	IGNITION ELECTRODE - OIL
8	1	32-497	SCANNER TUBE GASKET	27	1	73-32	ADAPTER SEAL RING	46	2	94-179	FEED THRU INSULATOR
9	1	275-235	DIFFUSER	28	2	845-486	CONNECTOR - 1/4"	47	1	939-25	TUBING 17" LG. (SPECIFY LG.)
10	1	90-214	BURNER DRAWER TUBE	29	1	2-43	DAMPER ARM	48	1	939-60	TUBING 28" LG. (SPECIFY LG.)
11	1	134-50	SPIDER	30	1	848-2	CONNECTOR	49	1	106-64	OIL TERMINAL BLOCK
12	1	134-53	ELECTRODE HOLDER	31	1	8-2581	ELECTRODE BRACKET	50	1	847-417	REDUCER BUSHING
13	1	90-572	GAS PILOT PIPE	32	1	845-42	ELBOW - 1/4" x 1/8"	51	1	22-132	STABILIZER
14	1	868-310	ACCESS PLUG	33	1	940-528	BALL CHECK VALVE	52	1	845-306	ELBOW - 1/8"
15	1	825-30	GAS COCK	34	1	106-10	OIL ORIFICE BLOCK	53	1	899-59	NOZZLE WITH STRAINER
16	1	435-71	IGNITION ELECTRODE - GAS	35	1	435-81	IGNITION ELECTRODE - OIL	54	1	73-41	SEAL RING
17	1	48-98	VENTURI - ASPIRATOR	36	1	847-545	REDUCER ELBOW	55	1	22-133	FRONT STABILIZER
18	1	34-7	IGNITION ELECTRODE GLAND	37	1	847-525	REDUCER COUPLING	*	1	SEE TABLE	BURNER DRAWER ASSEMBLY
19	1	853-1	O-RING	38	1	847-415	REDUCER BUSHING				

NOTES: 1.) FOR BURNER GUN AND PARTS SEE SECTION FT6.2.1

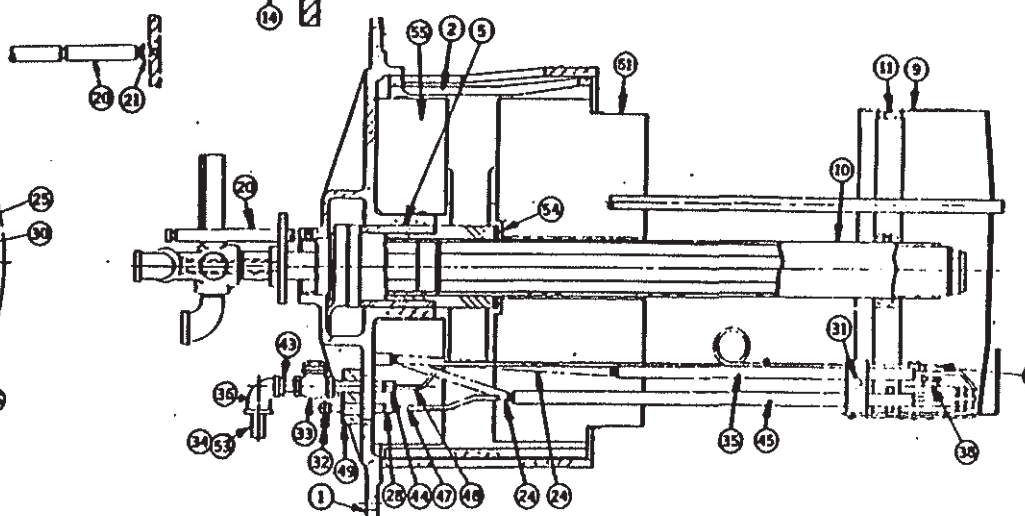
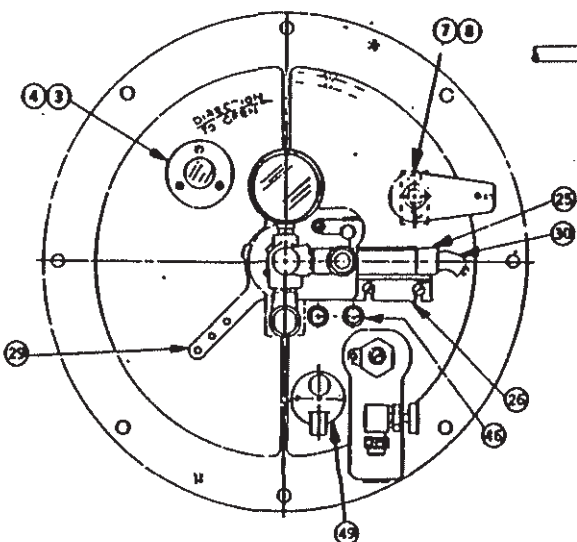
ITEM	TABLE		
	CB400	CB500	CB600-800
*	429-1048	429-1049	429-1050



OIL PILOT DETAIL VIEW



GAS PILOT DETAIL VIEW



THIS INFORMATION IS CONFIDENTIAL AND IS NOT TO BE USED IN ANY WAY DETRIMENTAL TO THE COMPANY'S INTERESTS.

DATE
4/1/86

**BURNER DRAWER WITH
 DUAL PILOT**
CB400-800 HORSEPOWER
 REVISION NO. 0
 SHEET NO. 4 OF 4
 REFERENCE NO. FT5.1.7