

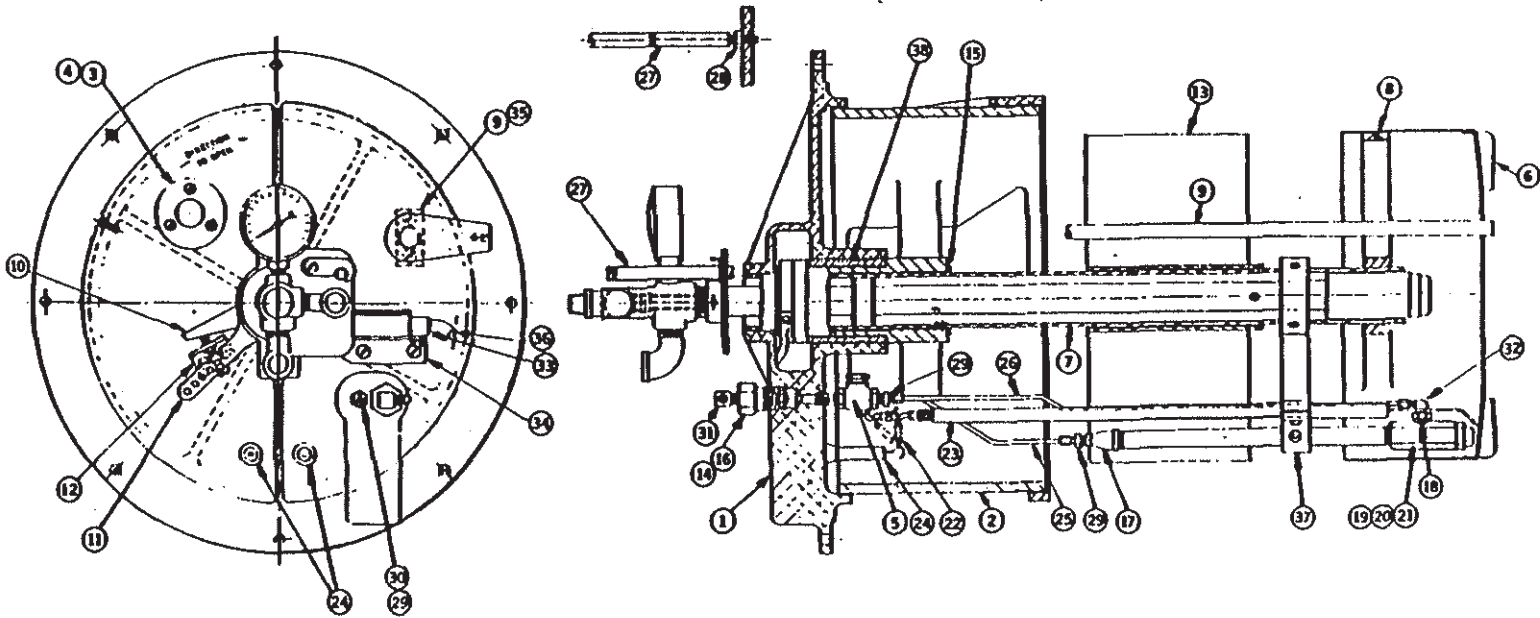
Courtesy of: C3 Surplus LLC
 Surplus Industrial Superstore
 305-428-2777
<https://www.c3surplus.com>

Cleaver-Brooks
 DIVISION OF AQUACHEM, INC.
 MILWAUKEE, WISCONSIN 53201
PARTS REFERENCE

ITEM	REQ	PART NO.	DESCRIPTION	ITEM	REQ	PART NO.	DESCRIPTION
1	1	59-982	BURNER BACKPLATE WITH BEARING	21	1	251-7	NOZZLE TIP AND SWIRLER - PILOT
2	1	108-49	ROTARY DAMPER	22	2	924-49	EXTENSION SPRING (SPECIFY LENGTH)
3	1	851-77	MICA SIGHT HOLE - 1-1/2"	23	2	435-50	IGNITION ELECTRODE
4	1	65-11	SIGHT HOLE RETAINER	24	2	94-179	FEED THRU INSULATOR
5	1	940-528	BALL CHECK VALVE	25	1	939-60	TUBING 10 - 1/4" LG. (SPECIFY LG.)
6	1	SEE TABLE	DIFFUSER	26	1	939-60	TUBING 10" (SPECIFY LG.)
7	1	90-184	BURNER DRAWER TUBE	27	1	58-21	LOCKING PIN
8	1	134-49	SPIDER	28	1	869-36	NUT
9	1	90-570	SCANNER TUBE ASSEMBLY	29	3	845-329	ADAPTER FITTING
10	1	11-11	DAMPER STOP	30	1	845-429	ADAPTER FITTING
11	1	2-37	DAMPER ARM	31	1	845-42	ELBOW - FLARED
12	1	8-709	INDICATOR STOP BRACKET	32	1	845-308	ELBOW - COMPRESSION
13	1	22-131	STABILIZER	33	1	836-89	LIMIT SWITCH
14	1	106-10	OIL ORIFICE BLOCK	34	1	8-710	LIMIT SWITCH BRACKET
15	1	73-31	SEAL RING	35	1	32-497	SCANNER TUBE GASKET
16	1	SEE TABLE	NOZZLE WITH STRAINER	36	1	848-2	CONNECTOR
17	1	847-718	REDUCER COUPLING	37	1	8-782	ELECTRODE BRACKET
18	1	847-415	REDUCER BUSHING	38	1	6-5	BEARING
19	1	277-23	NOZZLE BODY - PILOT	*	1	SEE TABLE	BURNER DRAWER ASSEMBLY
20	1	82-34	SWIRLER SPRING - PILOT				

NOTES: 1.) FOR BURNER GUN AND PARTS
 SEE SECTION FT5.2.1

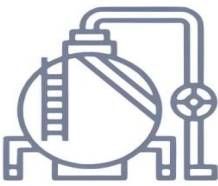
ITEM	TABLE			
	LIGHT OIL FIRED		HEAVY OIL FIRED	
	CB250-300	CB350	CB250-300	CB350
8	275-108	275-109	275-108	275-109
16	899-59	899-59	899-20	899-20
*	429-815	429-817	429-816	429-818



THIS INFORMATION IS CONFIDENTIAL AND IS NOT TO BE USED IN ANY WAY DETRIMENTAL TO THE COMPANY'S INTERESTS.

DATE
4/1/86

BURNER DRAWER WITH
 LIGHT OIL PILOT
 CB250-350 HORSEPOWER
 REVISION NO. 0
 SHEET NO. 1 OF 4
 REFERENCE NO. FT5.1.6



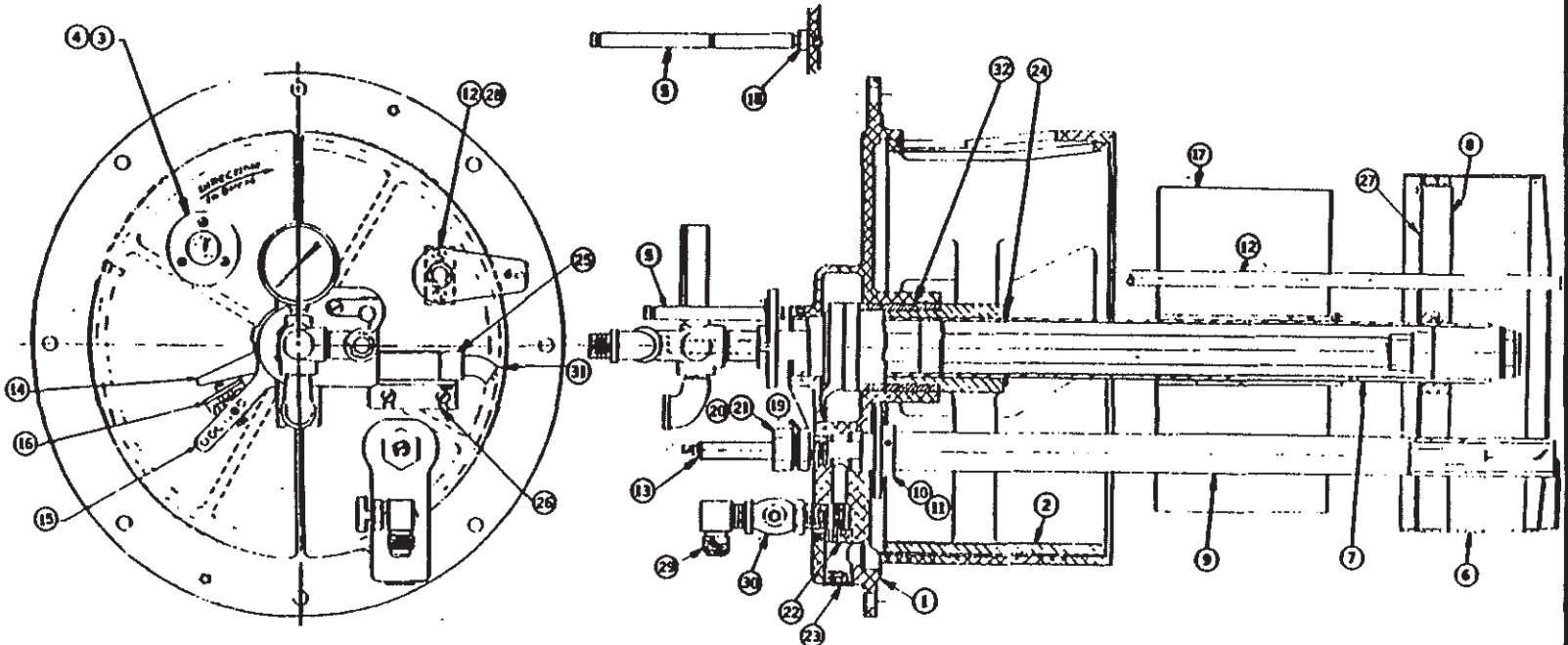
Courtesy of: C3 Surplus LLC
 Surplus Industrial Superstore
 305-428-2777
<https://www.c3surplus.com>

Cleaver-Brooks
 DIVISION OF AQUA-CHEM, INC.
 MILWAUKEE, WISCONSIN 53201
PARTS REFERENCE

ITEM	REQ	PART NO.	DESCRIPTION	ITEM	REQ	PART NO.	DESCRIPTION
1	1	59-980	BURNER BACKPLATE WITH BEARING	18	1	869-36	NUT
2	1	108-49	ROTARY DAMPER	19	1	1-168	GAS PILOT ADAPTER
3	1	851-77	MICA SIGHT HOLE - 1-1/2"	20	1	34-7	IGNITION ELECTRODE GLAND
4	1	65-11	SIGHT HOLE RETAINER	21	1	904-36	RUBBER GROMMET
5	1	56-21	LOCKING PIN	22	1	48-98	VENTURI - ASPIRATOR
6	1	SEE TABLE	DIFFUSER	23	1	858-310	ACCESS PLUG
7	1	90-164	BURNER DRAWER TUBE	24	1	73-31	SEAL RING
8	1	134-49	SPIDER	25	1	838-89	LIMIT SWITCH
9	1	57-163	GAS PILOT PIPE	26	1	8-710	LIMIT SWITCH BRACKET
10	1	1-174	GAS PILOT ADAPTER FLANGE	27	1	80-88	DIFFUSER RING
11	1	73-32	ADAPTER SEAL RING	28	1	32-497	SCANNER TUBE GASKET
12	1	90-570	SCANNER TUBE ASSEMBLY	29	1	845-194	ELBOW FLARED
13	1	435-52	IGNITION ELECTRODE	30	1	825-30	GAS COCK
14	1	11-11	DAMPER STOP	31	1	848-2	CONNECTOR
15	1	2-37	DAMPER ARM	32	1	6-5	BEARING
16	1	8-709	INDICATOR STOP BRACKET	*	1	SEE TABLE	BURNER DRAWER ASSEMBLY
17	1	22-131	STABILIZER				

NOTES: 1.) FOR BURNER GUN AND PARTS
 SEE SECTION FT5.2.1

TABLE		
ITEM	CB250-300	CB350
6	275-108	275-109
*	429-819	429-820



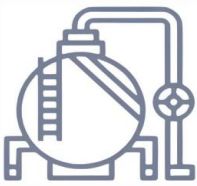
DATE
4/1/86

BURNER DRAWER WITH
 GAS PILOT

CB250-350 HORSEPOWER

REVISION NO. 0 SHEET NO. 2 OF 4 REFERENCE NO. FT5.1.6

THIS INFORMATION IS CONFIDENTIAL AND IS NOT TO BE USED IN ANY WAY DETRIMENTAL TO THE COMPANY'S INTERESTS.



Courtesy of: **C3 Surplus LLC**
Surplus Industrial Superstore
305-428-2777
<https://www.c3surplus.com>

Cleaver-Brooks
 DIVISION OF AQUA-CHEM, INC.
 MILWAUKEE, WISCONSIN 53201
PARTS REFERENCE

DATE
4/1/86

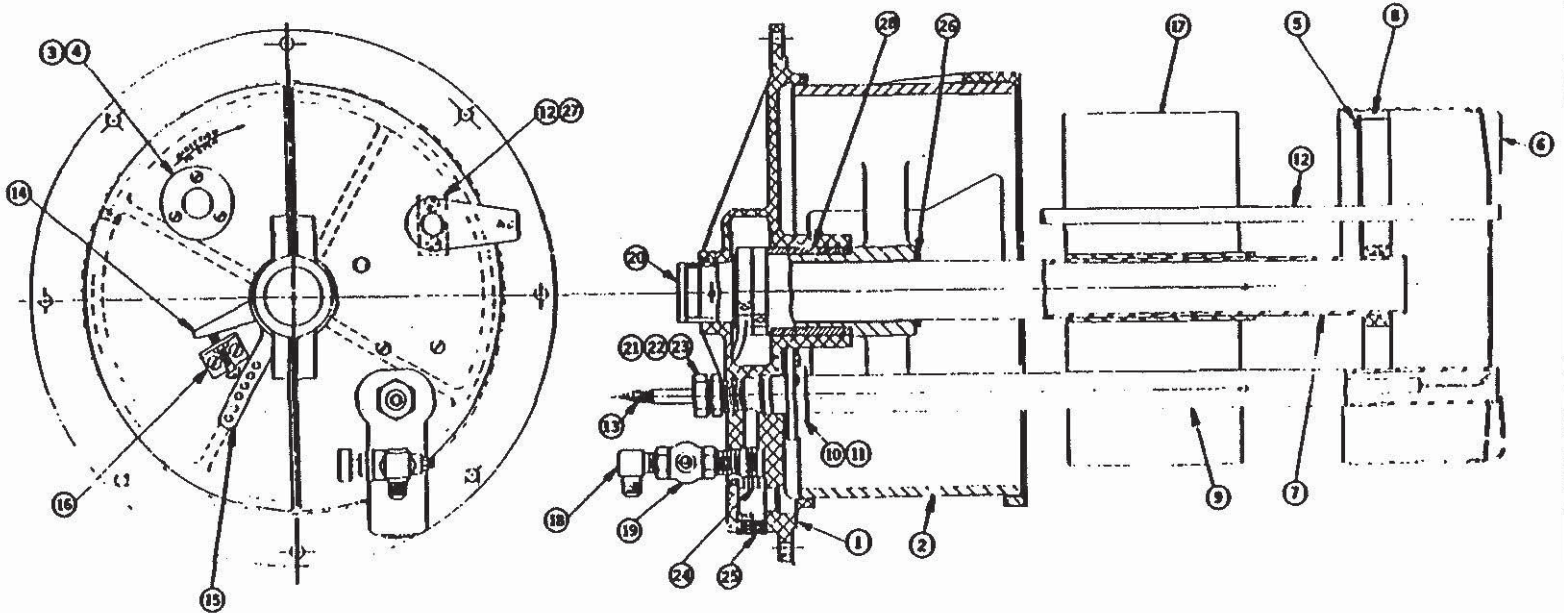
GAS BURNER DRAWER
CB250-350 HORSEPOWER

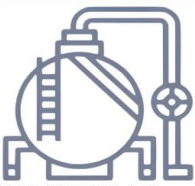
REVISION NO. 0 SHEET NO. 3 OF 4 REFERENCE NO. FTS.1.6

THIS INFORMATION IS CONFIDENTIAL AND IS NOT TO BE USED IN ANY WAY DETRIMENTAL TO THE COMPANY'S INTERESTS.

ITEM	REQ	PART NO.	DESCRIPTION	ITEM	REQ	PART NO.	DESCRIPTION
1	1	59-980	BURNER BACKPLATE WITH BEARING	18	1	8-709	INDICATOR STOP BRACKET
2	1	108-49	ROTARY DAMPER	17	1	22-131	STABILIZER
3	1	851-77	MICA SIGHT HOLE - 1-1/2"	18	1	846-194	ELBOW - FLARED
4	1	65-11	SIGHT HOLE RETAINER	19	1	825-30	GAS COCK
5	1	80-88	DIFFUSER RING	20	1	158-43	GUN PLUG
6	1	SEE TABLE	DIFFUSER	21	1	1-168	GAS PILOT ADAPTER
7	1	90-184	BURNER DRAWER TUBE	22	1	34-7	IGNITION ELECTRODE GLAND
8	1	134-49	SPIDER	23	1	904-38	RUBBER GROMMET
9	1	57-163	GAS PILOT PIPE	24	1	48-98	VENTURI - ASPIRATOR
10	1	1-174	GAS PILOT ADAPTER FLANGE	25	1	858-310	ACCESS PLUG
11	1	73-32	ADAPTER SEAL RING	26	1	73-31	SEAL RING
12	1	90-570	SCANNER TUBE ASSEMBLY	27	1	32-497	SCANNER TUBE GASKET
13	1	435-52	IGNITION ELECTRODE	28	1	6-5	BEARING
14	1	11-11	DAMPER STOP	*	1	SEE TABLE	GAS BURNER DRAWER ASSEMBLY
15	1	2-37	DAMPER ARM				

TABLE		
ITEM	CB250-300	CB350
6	275-108	275-109
*	429-821	429-822





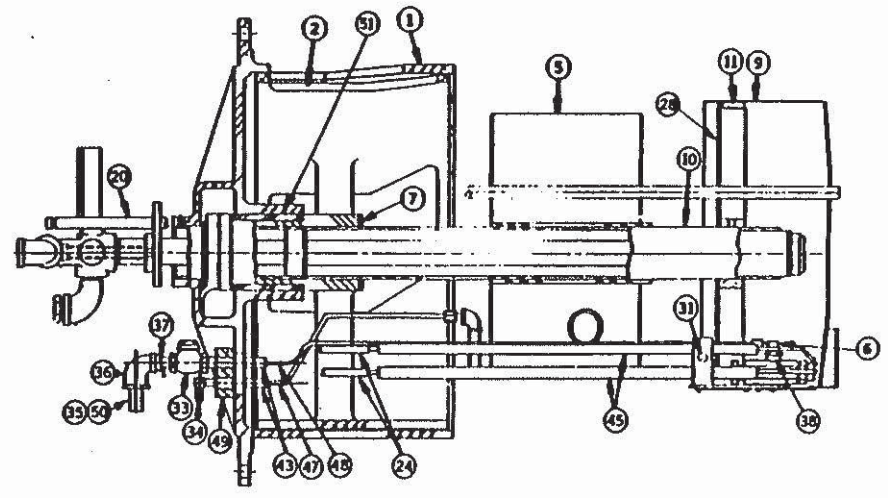
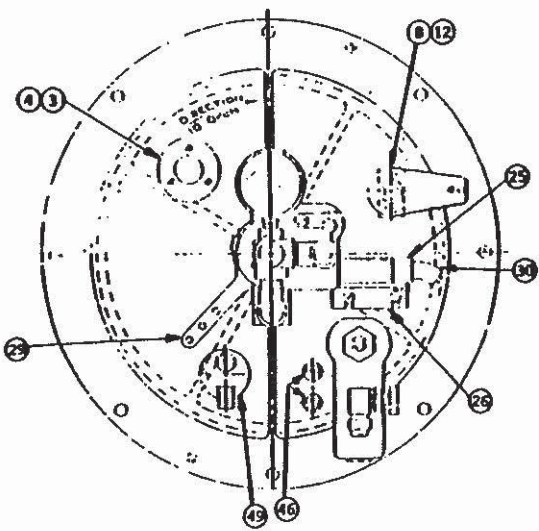
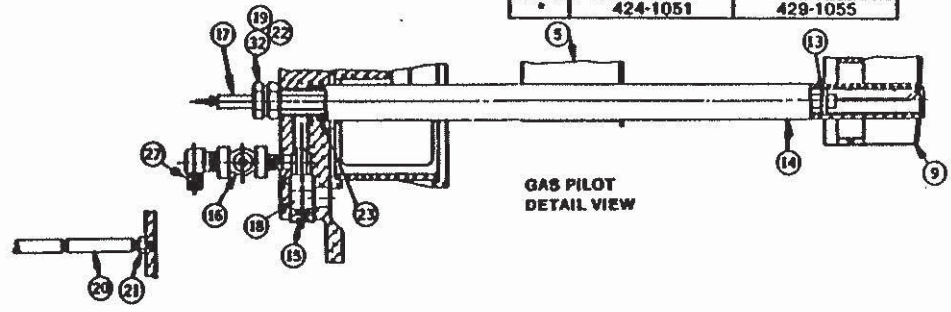
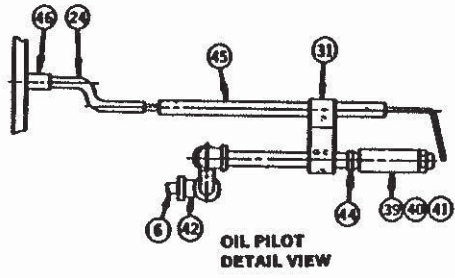
Courtesy of: C3 Surplus LLC
 Surplus Industrial Superstore
 305-428-2777
<https://www.c3surplus.com>

Cleaver-Brooks
 DIVISION OF AQUA-CHEM, INC.
 MILWAUKEE, WISCONSIN 53201
PARTS REFERENCE

ITEM	REQ	PART NO.	DESCRIPTION	ITEM	REQ	PART NO.	DESCRIPTION	ITEM	REQ	PART NO.	DESCRIPTION
1	1	826-2825	BURNER BACKPLATE WITH BEARING	19	1	34-7	IGNITION ELECTRODE GLAND	37	1	847-418	REDUCER BUSHING
2	1	108-49	ROTARY DAMPER	20	1	58-21	LOCKING PIN	38	1	847-415	REDUCER BUSHING
3	1	851-77	MICA SIGHT HOLE - 1-1/2"	21	1	889-38	NUT	39	1	277-23	NOZZLE BODY - PILOT
4	1	65-11	SIGHT HOLE RETAINER	22	1	863-1	O-RING	40	1	82-34	SWIRLER SPRING - PILOT
5	1	22-131	STABILIZER	23	1	288-10	ADAPTER TUBE	41	1	251-12	NOZZLE TIP & SWIRLER - PILOT
6	2	845-308	ELBOW - 1/8"	24	2	292-150	IGNITION CABLE	42	1	847-542	REDUCER ELBOW
7	1	73-31	SEAL RING	25	1	838-89	LIMIT SWITCH	43	2	845-329	CONNECTOR - 1/8"
8	1	90-670	SCANNER TUBE ASSEMBLY	28	1	8-710	LIMIT SWITCH BRACKET	44	1	847-417	REDUCER BUSHING
9	1	SEE TABLE	DIFFUSER	27	1	845-313	ELBOW - 1/2"	45	2	826-2924	IGNITION ELECTRODE - OIL
10	1	80-184	BURNER DRAWER TUBE	28	1	80-483	DIFFUSER RING	46	2	94-179	FEED THRU INSULATOR
11	1	134-49	SPIDER	29	1	2-37	DAMPER ARM	47	1	939-80	TUBING 10" LG. (SPECIFY LG.)
12	1	32-497	SCANNER TUBE GASKET	30	1	848-2	CONNECTOR	48	1	939-80	TUBING 27" LG. (SPECIFY LG.)
13	1	134-53	ELECTRODE HOLDER	31	1	8-2581	ELECTRODE BRACKET	49	1	108-84	OIL TERMINAL BLOCK
14	1	57-183	GAS PILOT PIPE	32	1	904-36	RUBBER GROMMET	50	1	898-59	NOZZLE WITH STRAINER
15	1	858-310	ACCESS PLUG	33	1	940-528	BALL CHECK VALVE	51	1	8-5	BEARING
16	1	825-30	GAS COCK	34	1	845-42	ELBOW - 1/4" x 1/8"	*	1	SEE TABLE	BURNER DRAWER ASSEMBLY
17	1	435-52	IGNITION ELECTRODE - GAS	35	1	108-10	OIL ORIFICE BLOCK				
18	1	48-98	VENTURI - ASPIRATOR	38	1	847-645	REDUCER ELBOW				

NOTES: 1.) FOR BURNER GUN AND PARTS
 SEE SECTION FT5.2.1

TABLE		
ITEM	CB250-300	CB350
9	275-233	275-234
*	424-1051	429-1055



THIS INFORMATION IS CONFIDENTIAL AND IS NOT TO BE USED IN ANY WAY DETRIMENTAL TO THE COMPANY'S INTERESTS.

DATE: 4/1/86

BURNER DRAWER WITH
 DUAL PILOT
 CB250-350 HORSEPOWER

REVISION NO. 0

SHEET NO. 4 OF 4

REFERENCE NO. FT5.1.6