

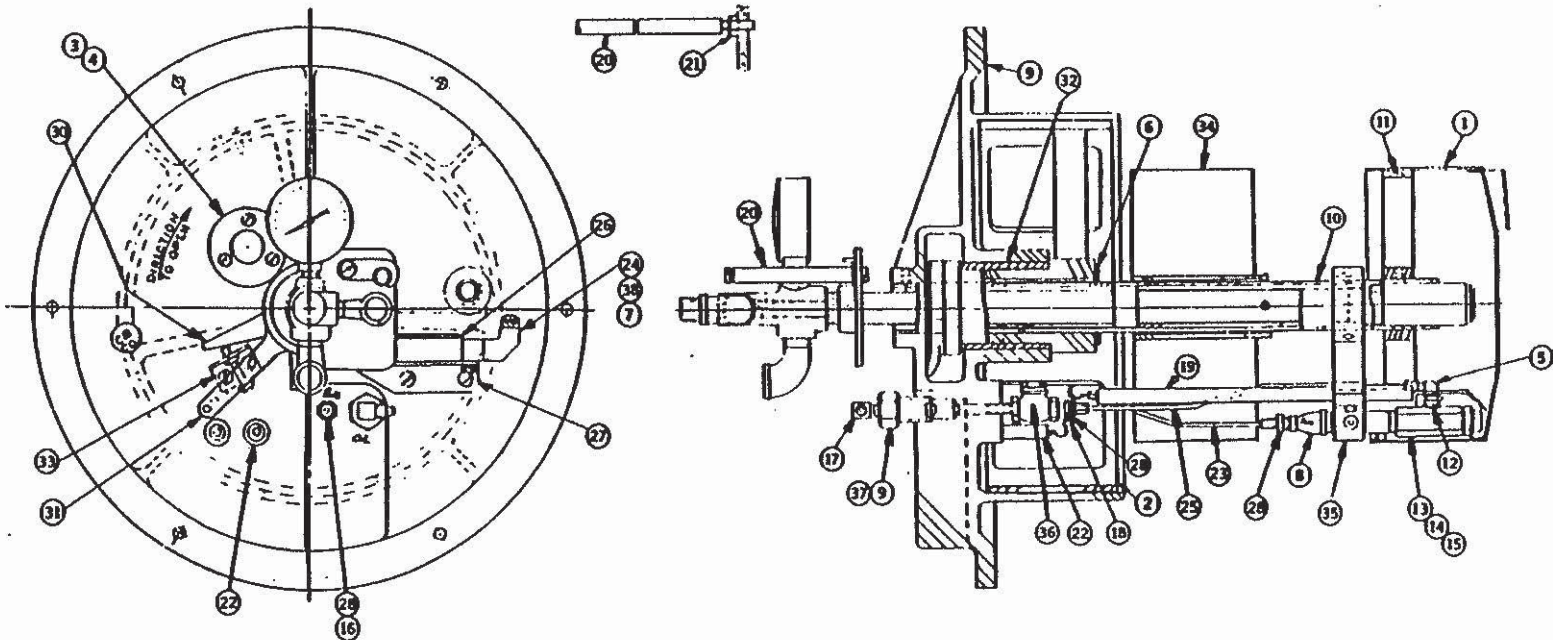
Courtesy of: C3 Surplus LLC
 Surplus Industrial Superstore
 305-428-2777
<https://www.c3surplus.com>

Cleaver-Brooks
 DIVISION OF AQUA-CHEM, INC.
 MILWAUKEE, WISCONSIN 53201
PARTS REFERENCE

| ITEM | REQ | PART NO. | DESCRIPTION | ITEM | REQ | PART NO. | DESCRIPTION |
|------|-----|-----------|--------------------------------|------|-----|-----------|------------------------------------|
| 1 | 1 | SEE TABLE | DIFFUSER | 22 | 2 | 94-179 | FEED THRU INSULATOR |
| 2 | 1 | 108-47 | ROTARY DAMPER | 23 | 1 | 939-60 | TUBING 10 - 1/2" LG. (SPECIFY LG.) |
| 3 | 1 | 851-77 | MICA SIGHT HOLE - 1-1/2" | 24 | 1 | 848-16 | CONNECTOR |
| 4 | 1 | 65-11 | SIGHT HOLE RETAINER | 25 | 1 | 939-60 | TUBING 12" LG. (SPECIFY LG.) |
| 5 | 1 | 845-308 | ELBOW - 1/8" | 28 | 1 | 836-89 | LIMIT SWITCH |
| 6 | 1 | 73-26 | SEAL RING | 27 | 1 | 8-710 | LIMIT SWITCH BRACKET |
| 7 | 1 | 848-2 | CONNECTOR | 28 | 3 | 845-329 | FITTING - 1/8" |
| 8 | 1 | 847-718 | REDUCER COUPLING | 29 | 1 | SEE TABLE | NOZZLE WITH STRAINER |
| 9 | 1 | 59-917 | BURNER BACKPLATE WITH BEARING | 30 | 1 | 11-10 | DAMPER STOP |
| 10 | 1 | 90-149 | BURNER DRAWER TUBE | 31 | 1 | 2-31 | DAMPER ARM |
| 11 | 1 | 134-47 | SPIDER | 32 | 1 | 6-4 | BEARING |
| 12 | 1 | 847-415 | REDUCER BUSHING | 33 | 1 | 8-709 | INDICATOR STOP BRACKET |
| 13 | 1 | 277-23 | NOZZLE BODY - PILOT | 34 | 1 | 22-122 | STABILIZER |
| 14 | 1 | 82-34 | SWIRLER SPRING - PILOT | 35 | 1 | 8-333 | ELECTRODE BRACKET |
| 15 | 1 | 251-7 | NOZZLE TIP & SWIRLER - PILOT | 36 | 1 | 940-528 | BALL CHECK VALVE |
| 16 | 1 | 845-429 | FITTING | 37 | 1 | 108-10 | OIL ORIFICE BLOCK |
| 17 | 1 | 845-42 | ELBOW - FLARED | 38 | 2 | 848-100 | FIBER BUSHING |
| 18 | 2 | 924-49 | EXTENSION SPRING (SPECIFY LG.) | * | 1 | SEE TABLE | BURNER DRAWER ASSEMBLY |
| 19 | 2 | 435-38 | IGNITION ELECTRODE | | | | |
| 20 | 1 | 58-21 | LOCKING PIN | | | | |
| 21 | 1 | 869-36 | NUT | | | | |

NOTES: 1.) FOR BURNER GUN AND PARTS
 SEE SECTION FT5.2.1

| TABLE | | | | |
|-------|-------------|---------------|---------|--------------|
| ITEM | CB125 & 160 | CB125S & 160S | CB175S | CB175A & 200 |
| 1 | 275-83 | 275-83 | 275-83 | 275-82 |
| 28 | 899-23 | 899-28 | 899-80 | 899-80 |
| * | 429-283 | 429-791 | 429-800 | 429-257 |

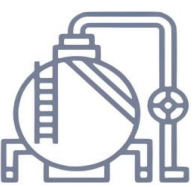


DATE
 4/1/86

**BURNER DRAWER WITH
 LIGHT OIL PILOT**

REVISION NO. 0
 SHEET No. 1 of 4
 REFERENCE NO. FT5.1.5

THIS INFORMATION IS CONFIDENTIAL AND IS NOT TO BE USED IN ANY WAY DETRIMENTAL TO THE COMPANY'S INTERESTS.



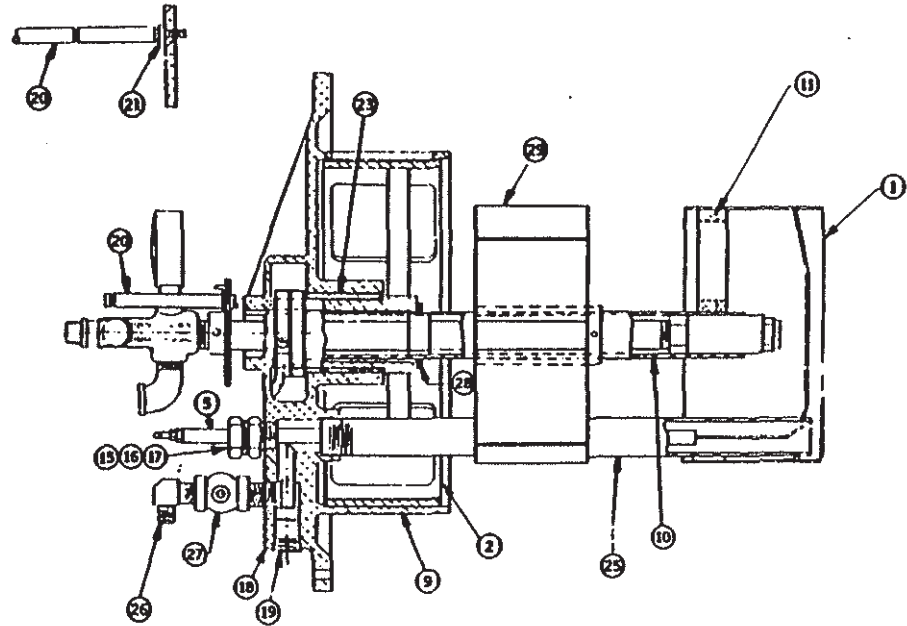
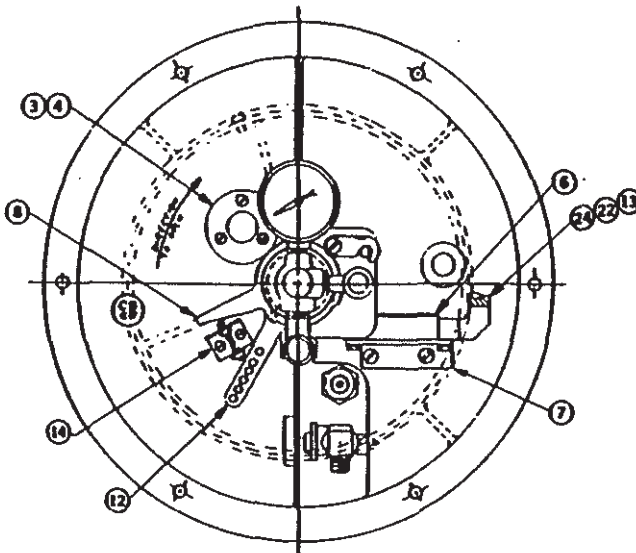
Courtesy of: C3 Surplus LLC
 Surplus Industrial Superstore
 305-428-2777
<https://www.c3surplus.com>

Cleaver-Brooks
 DIVISION OF AQUA-CHEM, INC.
 MILWAUKEE, WISCONSIN 53201
PARTS REFERENCE

| ITEM | REQ | PART NO. | DESCRIPTION | ITEM | REQ | PART NO. | DESCRIPTION |
|------|-----|-----------|-------------------------------|------|-----|-----------|--------------------------|
| 1 | 1 | SEE TABLE | DIFFUSER | 18 | 1 | 34-7 | IGNITION ELECTRODE GLAND |
| 2 | 1 | 108-47 | ROTARY DAMPER | 17 | 1 | 904-38 | RUBBER GROMMET |
| 3 | 1 | 851-77 | MICA SIGHT HOLE - 1-1/2" | 18 | 1 | 48-98 | VENTURI - ASPIRATOR |
| 4 | 1 | 85-11 | SIGHT HOLE RETAINER | 19 | 1 | 858-310 | ACCESS PLUG |
| 5 | 1 | 435-38 | IGNITION ELECTRODE | 20 | 1 | 58-21 | LOCKING PIN |
| 6 | 1 | 836-89 | LIMIT SWITCH | 21 | 1 | 869-38 | NUT |
| 7 | 1 | 8-710 | LIMIT SWITCH BRACKET | 22 | 2 | 848-100 | FIBER WASHER |
| 8 | 1 | 11-10 | DAMPER STOP | 23 | 1 | 6-4 | BEARING |
| 9 | 1 | 59-918 | BURNER BACKPLATE WITH BEARING | 24 | 1 | 848-16 | CONNECTOR |
| 10 | 1 | 90-149 | BURNER DRAWER TUBE | 25 | 1 | 57-67 | GAS PILOT PIPE |
| 11 | 1 | 134-47 | SPIDER | 26 | 1 | 845-194 | ELBOW - FLARED |
| 12 | 1 | 2-31 | DAMPER ARM | 27 | 1 | 825-30 | GAS COCK |
| 13 | 1 | 848-2 | CONNECTOR | 28 | 1 | 73-28 | SEAL RING |
| 14 | 1 | 8-709 | INDICATOR STOP BRACKET | 29 | 1 | 22-122 | STABILIZER |
| 15 | 1 | 1-168 | GAS PILOT ADAPTER | * | 1 | SEE TABLE | BURNER DRAWER ASSEMBLY |

- NOTES: 1.) FOR BURNER GUN AND PARTS SEE SECTION FT5.2.1
 2.) BURNER DRAWER 429-292 AND 429-798 ARE DIFFERENT DO TO THE BURNER GUNS.
 3.) BURNER DRAWER 429-792 IS OBSOLETE AND REPLACED BY 429-292.

| TABLE | | | |
|-------|-------------------------|---------|--------------|
| ITEM | CB125, 150, 125S & 150S | CB175S | CB175A & 200 |
| 1 | 275-63 | | 275-82 |
| * | 429-292 | 429-798 | 429-294 |



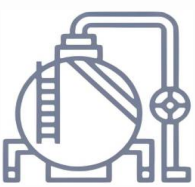
THIS INFORMATION IS CONFIDENTIAL AND IS NOT TO BE USED IN ANY WAY DETRIMENTAL TO THE COMPANY'S INTERESTS.

DATE
4/1/86

BURNER DRAWER WITH
GAS PILOT

CB125-200 HORSEPOWER

REVISION NO. 0 SHEET NO. 2 OF 4 REFERENCE NO. FT5.1.5



Courtesy of: C3 Surplus LLC
 Surplus Industrial Superstore
 305-428-2777
<https://www.c3surplus.com>

Cleaver-Brooks
 DIVISION OF AQUACHEM, INC.
 MILWAUKEE, WISCONSIN 53201
PARTS REFERENCE

DATE
 4/1/86

**GAS BURNER DRAWER
 CB125-200 HORSEPOWER**

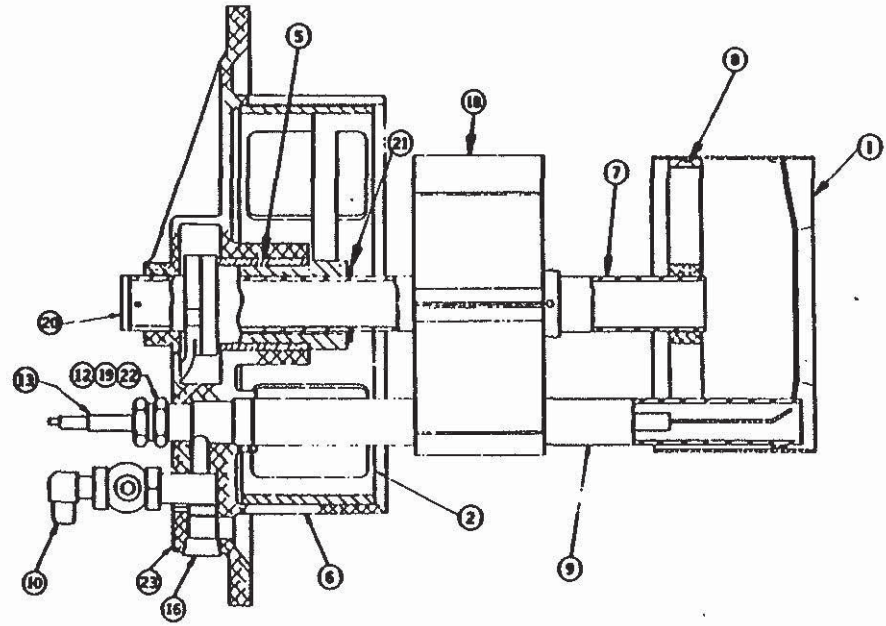
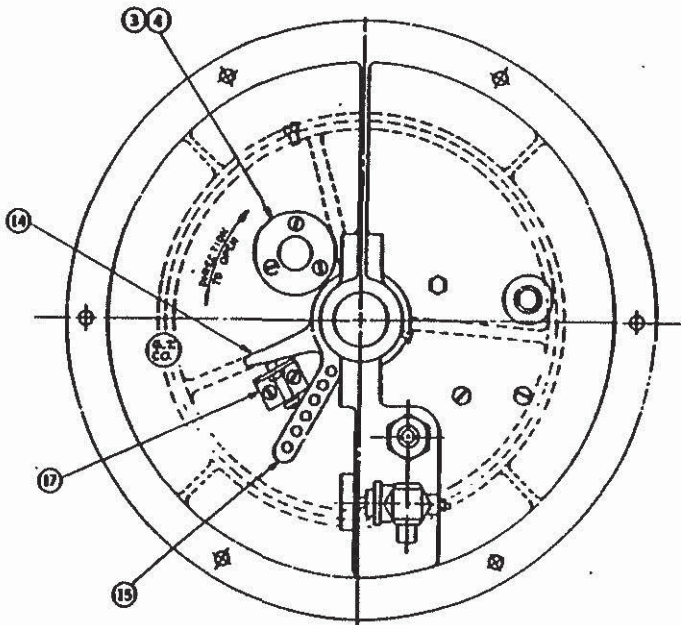
REVISION NO. 0 SHEET 3 OF 4 REFERENCE NO. FT5.1.5

THIS INFORMATION IS CONFIDENTIAL AND IS NOT TO BE USED IN ANY WAY DETRIMENTAL TO THE COMPANY'S INTERESTS.

| ITEM | REQ | PART NO. | DESCRIPTION | ITEM | REQ | PART NO. | DESCRIPTION |
|------|-----|-----------|--------------------------------|------|-----|-----------|----------------------------|
| 1 | 1 | SEE TABLE | DIFFUSER | 13 | 1 | 435-38 | IGNITION ELECTRODE |
| 2 | 1 | 108-47 | ROTARY DAMPER | 14 | 1 | 11-10 | DAMPER STOP |
| 3 | 1 | 851-77 | MICA SIGHT HOLE - 1-1/2" | 15 | 1 | 2-31 | DAMPER ARM |
| 4 | 1 | 65-11 | SIGHT HOLE RETAINER | 16 | 1 | 858-310 | ACCESS PLUG |
| 5 | 1 | 6-4 | BEARING | 17 | 1 | 8-709 | INDICATOR STOP BRACKET |
| 6 | 1 | 59-918 | BURNER BACK PLATE WITH BEARING | 18 | 1 | 22-122 | STABILIZER |
| 7 | 1 | 90-149 | BURNER DRAWER TUBE | 19 | 1 | 34-7 | IGNITION ELECTRODE GLAND |
| 8 | 1 | 134-47 | SPIDER | 20 | 1 | 158-42 | GUN PLUG |
| 9 | 1 | 57-87 | GAS PILOT PIPE | 21 | 1 | 73-26 | SEAL RING |
| 10 | 1 | 845-194 | ELBOW - FLARED | 22 | 1 | 904-36 | RUBBER GROMMET |
| 11 | 1 | 825-30 | GAS COCK | 23 | 1 | 48-98 | VENTURI - ASPIRATOR |
| 12 | 1 | 1-188 | GAS PILOT ADAPTER | * | 1 | SEE TABLE | GAS BURNER DRAWER ASSEMBLY |

NOTES: 1.) BURNER DRAWER 429-293 AND 429-798 ARE DIFFERENT DO TO THE LOCATION OF THE STABILIZER ALONG THE BURNER DRAWER TUBE.

| TABLE | | | |
|-------|-------------------------|---------|--------------|
| ITEM | CB125, 150, 125S & 150S | CB175S | CB175A & 200 |
| 1 | 275-83 | | 275-82 |
| * | 429-293 | 429-798 | 429-295 |





Courtesy of: C3 Surplus LLC
 Surplus Industrial Superstore
 305-428-2777
<https://www.c3surplus.com>

Cleaver-Brooks

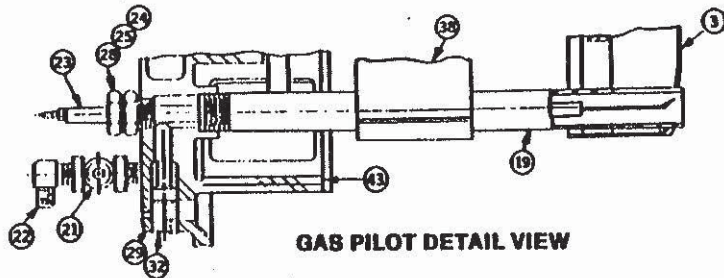
DIVISION OF AQUA-CHEM, INC.

PARTS REFERENCE

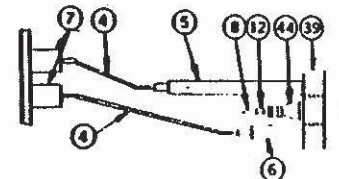
| ITEM | REQ | PART NO. | DESCRIPTION | ITEM | REQ | PART NO. | DESCRIPTION | ITEM | REQ | PART NO. | DESCRIPTION |
|------|-----|-----------|--------------------------------|------|-----|----------|-------------------------------|------|-----|-----------|------------------------------|
| 1 | 1 | 6-4 | BEARING | 18 | 2 | 848-100 | FIBER BUSHING - 3/8" | 35 | 1 | 2-31 | DAMPER ARM |
| 2 | 1 | SEE TABLE | NOZZLE WITH STRAINER | 19 | 1 | 67-67 | GAS PILOT PIPE | 36 | 1 | 848-16 | CONNECTOR |
| 3 | 1 | SEE TABLE | DIFFUSER | 20 | 1 | 828-2873 | BURNER BACKPLATE WITH BEARING | 37 | 1 | 8-709 | INDICATOR STOP BRACKET |
| 4 | 2 | 824-49 | EXTENSION SPRING (SPECIFY LG.) | 21 | 1 | 826-30 | GAS COCK | 38 | 1 | 826-2674 | STABILIZER |
| 5 | 1 | 435-38 | IGNITION ELECTRODE - OIL | 22 | 1 | 845-194 | ELBOW - FLARED | 39 | 1 | 8-333 | ELECTRODE BRACKET |
| 6 | 1 | 435-68 | IGNITION ELECTRODE - OIL | 23 | 1 | 435-38 | IGNITION ELECTRODE - GAS | 40 | 1 | 840-526 | BALL CHECK VALVE |
| 7 | 2 | 84-179 | FEED THRU INSULATOR | 24 | 1 | 1-168 | GAS PILOT ADAPTER | 41 | 1 | 106-10 | OIL ORIFICE BLOCK |
| 8 | 1 | 838-80 | TUBING 20" LG. (SPECIFY LG.) | 25 | 1 | 34-7 | IGNITION ELECTRODE GLAND | 42 | 1 | 848-2 | CONNECTOR |
| 9 | 1 | 838-80 | TUBING 12" LG. (SPECIFY LG.) | 26 | 1 | 66-21 | LOCKING PIN | 43 | 1 | 108-47 | ROTARY DAMPER |
| 10 | 1 | 851-77 | MICA SIGHT HOLE - 1-1/2" | 27 | 1 | 869-36 | NUT | 44 | 1 | 847-718 | REDUCER COUPLING |
| 11 | 1 | 65-11 | SIGHT HOLE RETAINER | 28 | 1 | 904-36 | RUBBER GROMMET | 45 | 1 | 847-415 | REDUCER BUSHING |
| 12 | 3 | 845-329 | CONNECTOR - 1/8" | 29 | 1 | 48-98 | VENTURI - ASPIRATOR | 46 | 1 | 277-23 | NOZZLE BODY - PILOT |
| 13 | 2 | 845-42 | ELBOW - 1/4" x 1/8" | 30 | 1 | 836-89 | LIMIT SWITCH | 47 | 1 | 82-34 | SWIRLER SPRING - PILOT |
| 14 | 1 | 845-306 | ELBOW - 1/8" | 31 | 1 | 8-710 | LIMIT SWITCH BRACKET | 48 | 1 | 251-7 | NOZZLE TIP & SWIRLER - PILOT |
| 15 | 1 | 73-26 | SEAL RING | 32 | 1 | 858-310 | ACCESS PLUG | * | 1 | SEE TABLE | BURNER DRAWER ASSEMBLY |
| 16 | 1 | 80-149 | BURNER DRAWER TUBE | 33 | 1 | 157-87 | REDUCER COUPLING MODIFIED | | | | |
| 17 | 1 | 134-47 | SPIDER | 34 | 1 | 11-10 | DAMPER STOP | | | | |

NOTES: 1.) FOR BURNER GUN AND PARTS
 SEE SECTION FT5.2.1

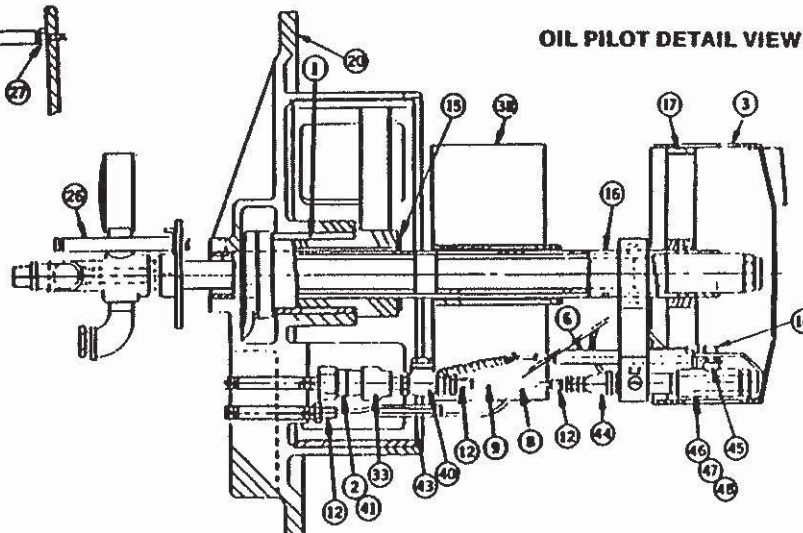
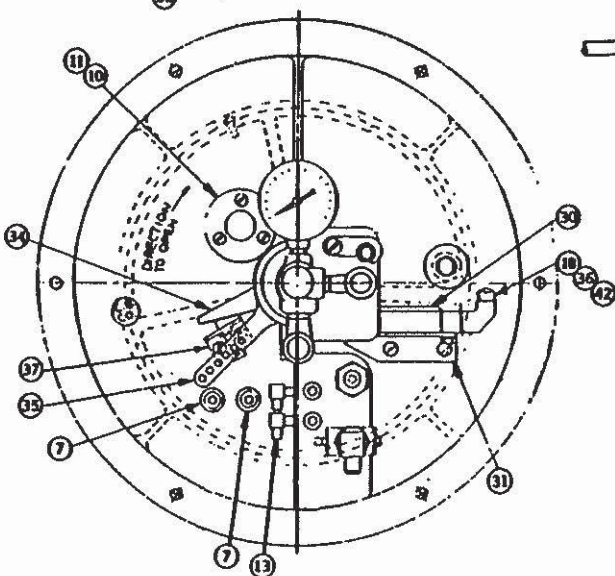
| TABLE | | | | |
|-------|-------------------|----------|----------|--------------|
| ITEM | CB125, 125S & 150 | CB150S | CB175S | CB175A & 200 |
| 2 | 899-29 | 899-29 | 899-80 | 899-80 |
| 3 | 275-241 | 275-241 | 275-241 | 275-240 |
| * | 429-1030 | 429-1031 | 429-1032 | 429-1033 |



GAS PILOT DETAIL VIEW



OIL PILOT DETAIL VIEW



THIS INFORMATION IS CONFIDENTIAL AND IS NOT TO BE USED IN ANY WAY OBTAINMENTAL TO THE COMPANY'S INTERESTS.

DATE
4/1/86

BURNER DRAWER WITH
DUAL PILOT

CB125-200 HORSEPOWER

REVISION NO. 0
 SHEET NO. 4 OF 4
 REFERENCE NO. FT5.1.5